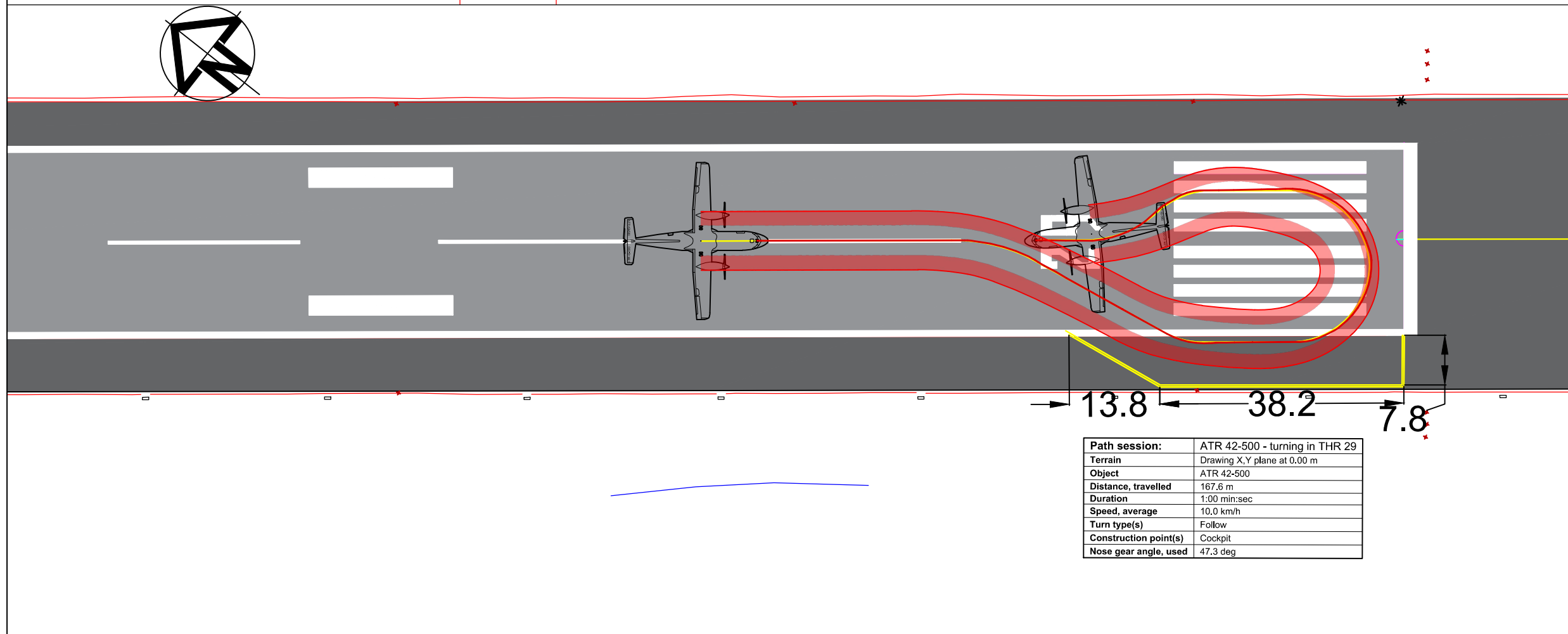


<b>Path session:</b>	aTR 42-500 turning in THR 11
<b>Terrain</b>	Drawing X,Y plane at 0.00 m
<b>Object</b>	ATR 42-500
<b>Distance, travelled</b>	131.0 m
<b>Duration</b>	0:47 min:sec
<b>Speed, average</b>	10.0 km/h
<b>Turn type(s)</b>	Follow
<b>Construction point(s)</b>	Cockpit
<b>Nose gear angle, used</b>	48.0 deg



<b>Path session:</b>	ATR 42-500 - turning in THR 29
<b>Terrain</b>	Drawing X,Y plane at 0.00 m
<b>Object</b>	ATR 42-500
<b>Distance, travelled</b>	167.6 m
<b>Duration</b>	1:00 min:sec
<b>Speed, average</b>	10.0 km/h
<b>Turn type(s)</b>	Follow
<b>Construction point(s)</b>	Cockpit
<b>Nose gear angle, used</b>	47.3 deg

**NOTES**

1. Drawings to be read in conjunction with EASA CS ADR DSN Issue 5.
2. All dimensions are in meters unless otherwise stated.
3. No dimensions are to be scaled from this drawing.

<b>Airplane: ATR 42-500 (ATR (Avions de Transport Regional))</b>	
<b>ICAO Code letter</b>	C
<b>IATA Code</b>	AT5
<b>ICAO Code</b>	AT45
<b>Wake category</b>	M
<b>Length, overall</b>	22.67m
<b>Wingspan</b>	24.57m
<b>Tail height, max</b>	7.59 m
<b>Wheel base</b>	8.78 m
<b>Nose gear angle, max. steering</b>	60.0 deg
<b>Nose gear turning radius, min</b>	10.14 m
<b>OMGWS</b>	4.68 m
<b>OMGWS Clearance</b>	2.25 m

© Crown copyright and database rights 2021 Ordnance Survey 0100031673

P1	05 May 21	Suitable for Tender	GZ	GP	GP	EM
Rev	Date	Description	Designer	Checker	Reviewer	Approver

**Client**

Airports Limited

PROJECT: HIAL CAMPBELTOWN PAVEMENT REHABILITATION

<b>Site</b>	<b>Client</b>
Campbeltown Airport Machrihanish, PA28 6NU	Highlands and Islands Airports Limited Head Office, Inverness Airport Inverness Scotland IV2 7JB www.hial.co.uk

MAKING COMPLEX EASY

Coordinating office:  
Sherwood House, Sherwood Avenue  
Newark, Nottinghamshire, NG24 10Q  
Tel: 01636 605 700  
Email: rpsnewark@rpsgroup.com

Design & Consultancy for national and built assets

Registered office:  
Arcadis House  
34 York Way  
London  
N1 9AB

Coordinating office:  
Cornerblock, Birmingham  
2 Cornwall Street, Birmingham  
B3 2DX  
Tel: 44 (0)121 5032700

www.arcadis.com

Title:

Campbeltown Airport  
Rehabilitation Works  
Swept Path Analysis  
ATR 42-500 180 Degrees Turns at Runway Ends

Designer	G.Zaharia	Date	04 May 21	Signed	GZ
Checker	G.Pinto	Date	04 May 21	Signed	GP
Reviewer	G.Pinto	Date	05 May 21	Signed	GP
Approver	E.Michaelides	Date	06 May 21	Signed	EM
Scale:	1:750	Datum:	AOD		
Original Size:	A3	Grid:	OS		
Suitability Code:	D2	Project Number:	10046531		

Suitability Description:  
Suitable for Tender

Drawing Number:	10046531-ARC-XX-XX-DR-YY-0012	Revision:	P01
-----------------	-------------------------------	-----------	-----